

WR - Wide rings

Light gauge Galvanized piping system – Assembly



Specifications

Material: Galvanized steel

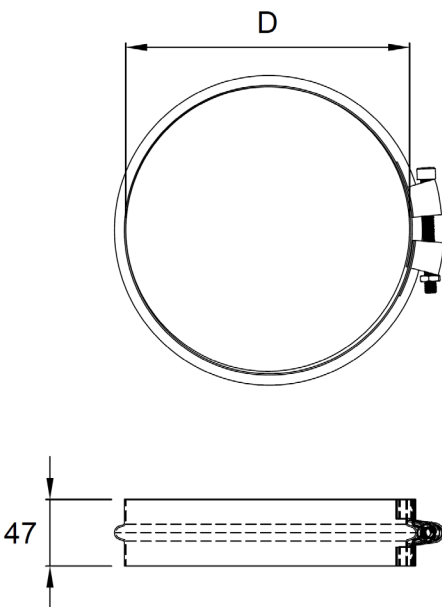
Surface: Z275

Description

For connecting galvanized piping, with beaded ends.

Wide rings are made from 0.9 mm galvanized steel.

Inclusive of bolts and nuts.



D (mm)	Part no.	Weight (kg)
200	01020200	0.3
225	01020225	0.3
250	01020250	0.4
275	01020275	0.4
300	01020300	0.5
315	01020315	0.5
350	01020350	0.5
400	01020400	0.5
450	01020450	0.6
500	01020500	0.7
550	01020550	0.7
600	01020600	0.8
630	01020630	0.8
650	01020650	0.8
700	01020700	0.9
750	01020750	0.9
800	01020800	1.0